



SEMICONDUCTORS

EIAJ Type No.
2SB493

GERMANIUM PNP ALLOY JUNCTION TRANSISTOR

APPLICATION:

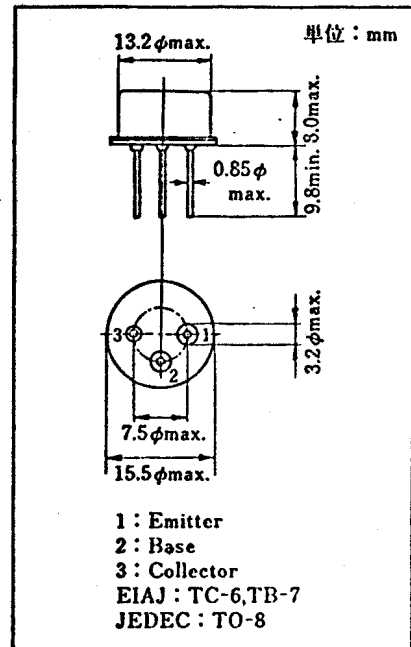
- Strobe/DC Converter

FEATURES:

- Low Collector-Emitter Saturation Voltage

ABSOLUTE MAXIMUM RATINGS (Ta=25°C)

Collector-Base Voltage (-V _{CB0})	40V
Collector-Emitter Voltage (-V _{CE0})	20V
Emitter-Base Voltage (-V _{EB0})	14V
Collector Current (-I _C)	3A
Peak Collector Current (-I _{CM})	5A
Power Dissipation (P _C)	9W
Junction Temperature (T _j)	90°C
Storage Temperature (T _{stg})	-55~+75°C



ELECTRICAL CHARACTERISTICS (Ta=25°C)

Characteristic	Symbol	Conditions	Min.	Typ.	Max.	Unit
Collector Cutoff Current	-I _{CEO}	-V _{CE} =20V, I _B =0			10	mA
Collector Cutoff Current	-I _{CB0}	-V _{CB} =40V, I _E =0			1	mA
Emitter Cutoff Current	-I _{EB0}	-V _{CB} =10V, I _C =0			1	mA
DC Current Gain	h _{FE}	-V _{CB} =0, I _E =3A	40			
Transition Frequency	f _T	-V _{CB} =2V, I _E =0.1A	300			KHz

The device specifications are subject to change for improvement without prior notice.